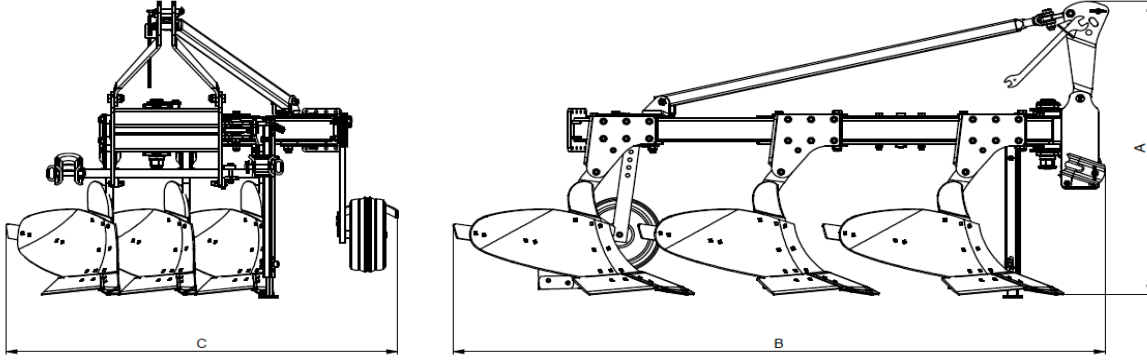


3 SOKLU MEKANİK AYARLI PROFİL PULLUK



ŞASE EBADI (120x100)

KOD	AÇIKLAMA			Ara (cm.)	GÜÇ (HP.)	AĞIRLIK (Kg.)	TEORİK İŞ GENİŞLİĞİ (mm.)	ÇATI YÜKSEKLİĞİ (mm.)	SÜRME DERİNLİĞİ (mm.)	YÜKSEKLİK (mm.) (A)	BOY (mm.) (B)	GENİŞLİK (mm.) (C)
PM1200030975	3	Soklu	9"	75	45-70	520	690-960	720	190-230	1430	2758	1580
PM1200031285	3	Soklu	12"	85	50-90	550	900-1350	780	270-310	1505	2780	1771
PM1200031485	3	Soklu	14"	85	70-100	587	900-1350	780-850	300-350	1505	2855	1793
PM1200031685	3	Soklu	16"	85	80-110	659	900-1350	800-870	350-400	1515	2969	1890
PM1200031291	3	Soklu	12"	91,5	50-90	560	900-1350	720-780	270-310	1505	2919	1771
PM1200031491	3	Soklu	14"	91,5	70-100	600	900-1350	780-850	300-350	1505	2994	1793
PM1200031691	3	Soklu	16"	91,5	80-110	673	900-1350	800-870	350-400	1515	3107	1895
PM1200031295	3	Soklu	12"	95	50-90	594	900-1350	720-780	270-310	1505	2973	1574
PM1200031495	3	Soklu	14"	95	60-95	595	900-1350	780-850	300-350	1505	3070	1793
PM1200031695	3	Soklu	16"	95	80-110	676	900-1350	800-870	350-400	1515	3184	1895
PM1200031615	3	Soklu	16"	105	70-105	700	900-1350	800-870	350-400	1515	3070	1793

ŞASE EBADI (120x120)

KOD	AÇIKLAMA			Ara (cm.)	GÜÇ (HP.)	AĞIRLIK (Kg.)	TEORİK İŞ GENİŞLİĞİ (mm.)	ÇATI YÜKSEKLİĞİ (mm.)	SÜRME DERİNLİĞİ (mm.)	YÜKSEKLİK (mm.) (A)	BOY (mm.) (B)	GENİŞLİK (mm.) (C)
PM1220031285	3	Soklu	12"	85	60-90	575	900-1350	780-850	270-310	1506	2786	1769
PM1220031485	3	Soklu	14"	85	70-100	603	900-1350	780-850	300-350	1506	2862	1791
PM1220031685	3	Soklu	16"	85	80-110	675	900-1350	800-870	350-400	1506	2975	1894
PM1220031291	3	Soklu	12"	91,5	50-90	585	900-1350	780-850	270-310	1506	2925	1769
PM1220031491	3	Soklu	14"	91,5	70-100	618	900-1350	780-850	300-350	1506	3000	1791
PM1220031691	3	Soklu	16"	91,5	80-110	690	900-1350	800-870	350-400	1506	3113	1889
PM1220031295	3	Soklu	12"	95	50-90	611	900-1350	720-780	270-310	1506	3000	1769
PM1220031495	3	Soklu	14"	95	60-95	620	900-1350	780-850	300-350	1506	3074	1791
PM1220031695	3	Soklu	16"	95	80-110	694	900-1350	800-870	350-400	1506	3188	1894
PM1220031215	3	Soklu	12"	105	50-90	585	900-1350	780-850	270-310	1506	3206	1920
PM1220031415	3	Soklu	14"	105	70-100	634	900-1350	780-850	300-350	1506	3283	1811
PM1220031615	3	Soklu	16"	105	70-105	720	900-1350	800-870	350-400	1506	3295	1895

ŞASE EBADI (140x120)

KOD	AÇIKLAMA			Ara (cm.)	GÜÇ (HP.)	AĞIRLIK (Kg.)	TEORİK İŞ GENİŞLİĞİ (mm.)	ÇATI YÜKSEKLİĞİ (mm.)	SÜRME DERİNLİĞİ (mm.)	YÜKSEKLİK (mm.) (A)	BOY (mm.) (B)	GENİŞLİK (mm.) (C)
PM1400031285	3	Soklu	12"	85	60-95	620	900-1350	720-780	270-310	1505	2878	1773
PM1400031485	3	Soklu	14"	85	70-100	626	900-1350	780-850	300-350	1505	2861	1800
PM1400031685	3	Soklu	16"	85	80-110	698	900-1350	800-870	350-400	1515	2975	1902
PM1400031291	3	Soklu	12"	91,5	60-85	635	900-1350	720-780	270-310	1505	2925	1778
PM1400031491	3	Soklu	14"	91,5	70-100	643	900-1350	780-850	300-350	1505	3002	1800
PM1400031691	3	Soklu	16"	91,5	80-110	715	900-1350	800-870	350-400	1515	3112	1905
PM1400031295	3	Soklu	12"	95	60-85	635	900-1350	720-780	270-310	1505	3000	1778
PM1400031495	3	Soklu	14"	95	70-100	715	900-1350	780-850	300-350	1505	3113	1902
PM1400031695	3	Soklu	16"	95	80-110	719	900-1350	780-850	350-400	1515	3187	1902
PM1400041615	3	Soklu	16"	105	70-105	908	900-1350	800-870	350-400	1515	4370	2267

ŞASE EBADI (140x140)

KOD	AÇIKLAMA			Ara (cm.)	GÜÇ (HP.)	AĞIRLIK (Kg.)	TEORİK İŞ GENİŞLİĞİ (mm.)	ÇATI YÜKSEKLİĞİ (mm.)	SÜRME DERİNLİĞİ (mm.)	YÜKSEKLİK (mm.) (A)	BOY (mm.) (B)	GENİŞLİK (mm.) (C)
PM1420031291	3	Soklu	12"	91,5	65-95	635	900-1350	720-780	270-310	1505	2930	1778
PM1420031491	3	Soklu	14"	91,5	70-100	764	900-1350	780-850	300-350	1505	3851	2150
PM1420031691	3	Soklu	16"	91,5	80-110	861	900-1350	800-870	350-400	1505	3964	2252